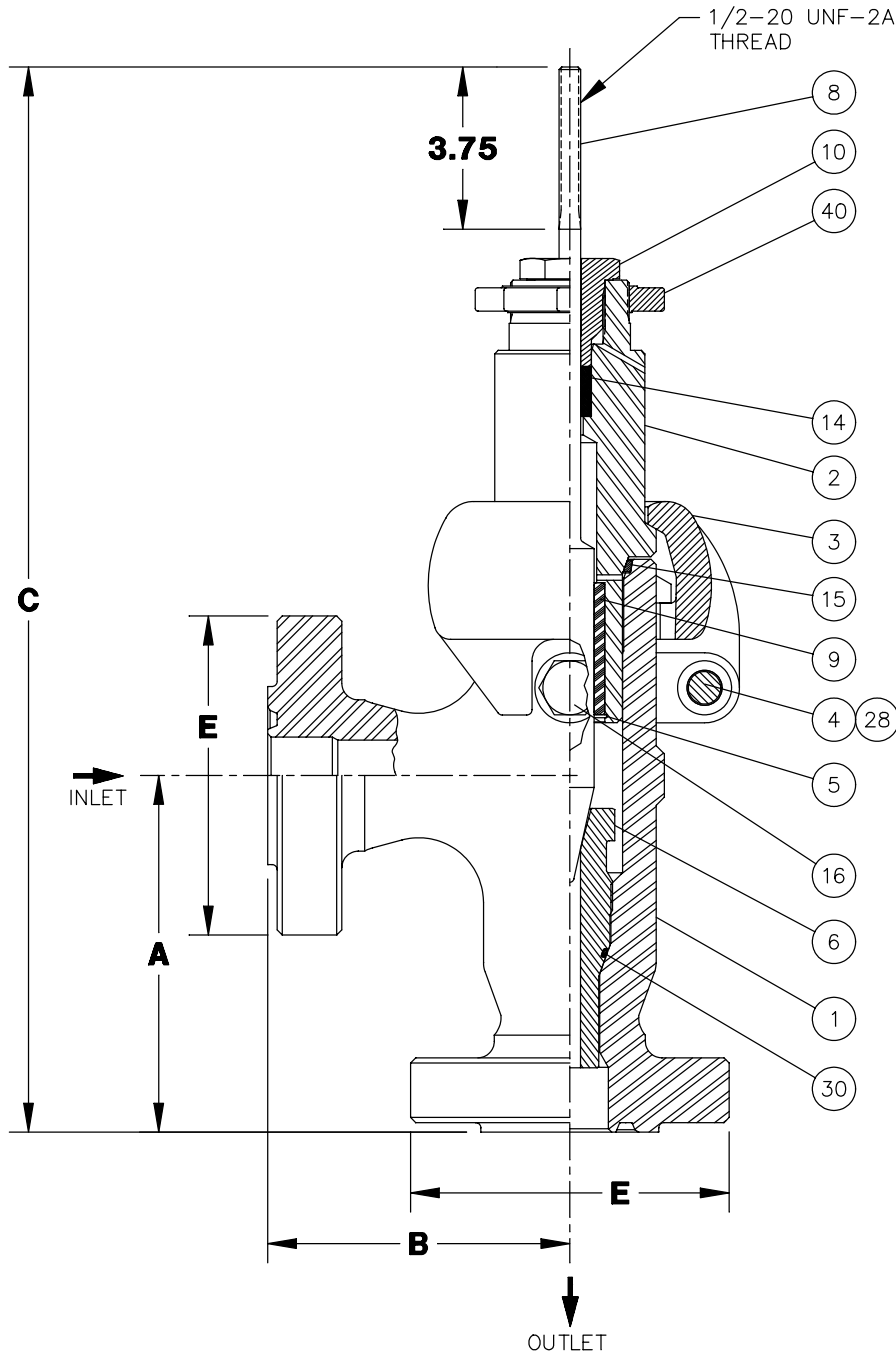


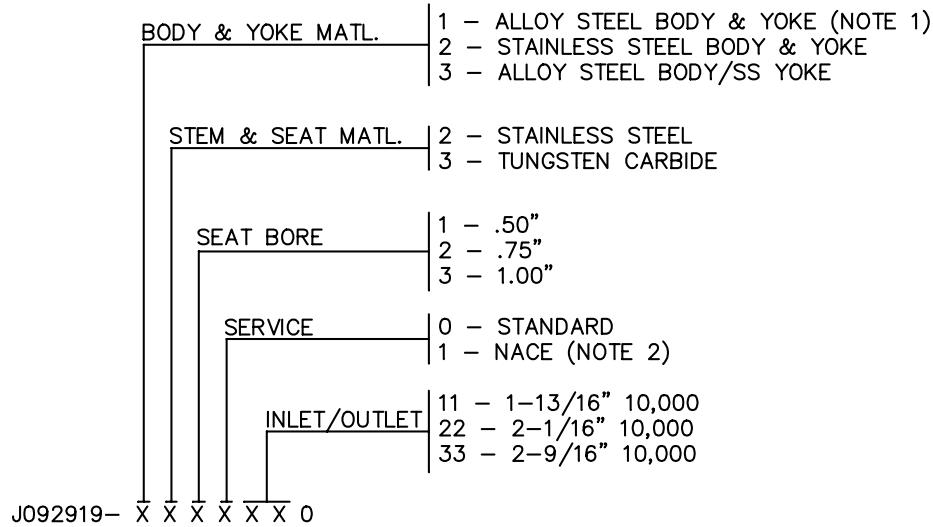
**THORNHILL CRAVER
2" UNIBOLT ADJUSTABLE CHOKE
WITH TAPER TYPE SEAL
FOR FISHER SIZE 45 DIAPHRAGM ACTUATOR
10,000 WP API FLANGED INLET & OUTLET**



DIMENSIONS

FLG SIZE	1-13/16"	2-1/16"	2-9/16"
DIMENSION			
A - OUTLET	8.25	11.12	11.12
B - INLET	7.00	9.00	9.00
C (CLOSED)	24.94	27.81	27.81
E - FLANGE O.D.	7.38	7.88	9.12
STUD SIZE (QTY)	.75 (8)	.75 (8)	.88 (8)
RING NUMBER	BX-151	BX-152	BX-153

ASSEMBLY PART NUMBER



PARTS LIST

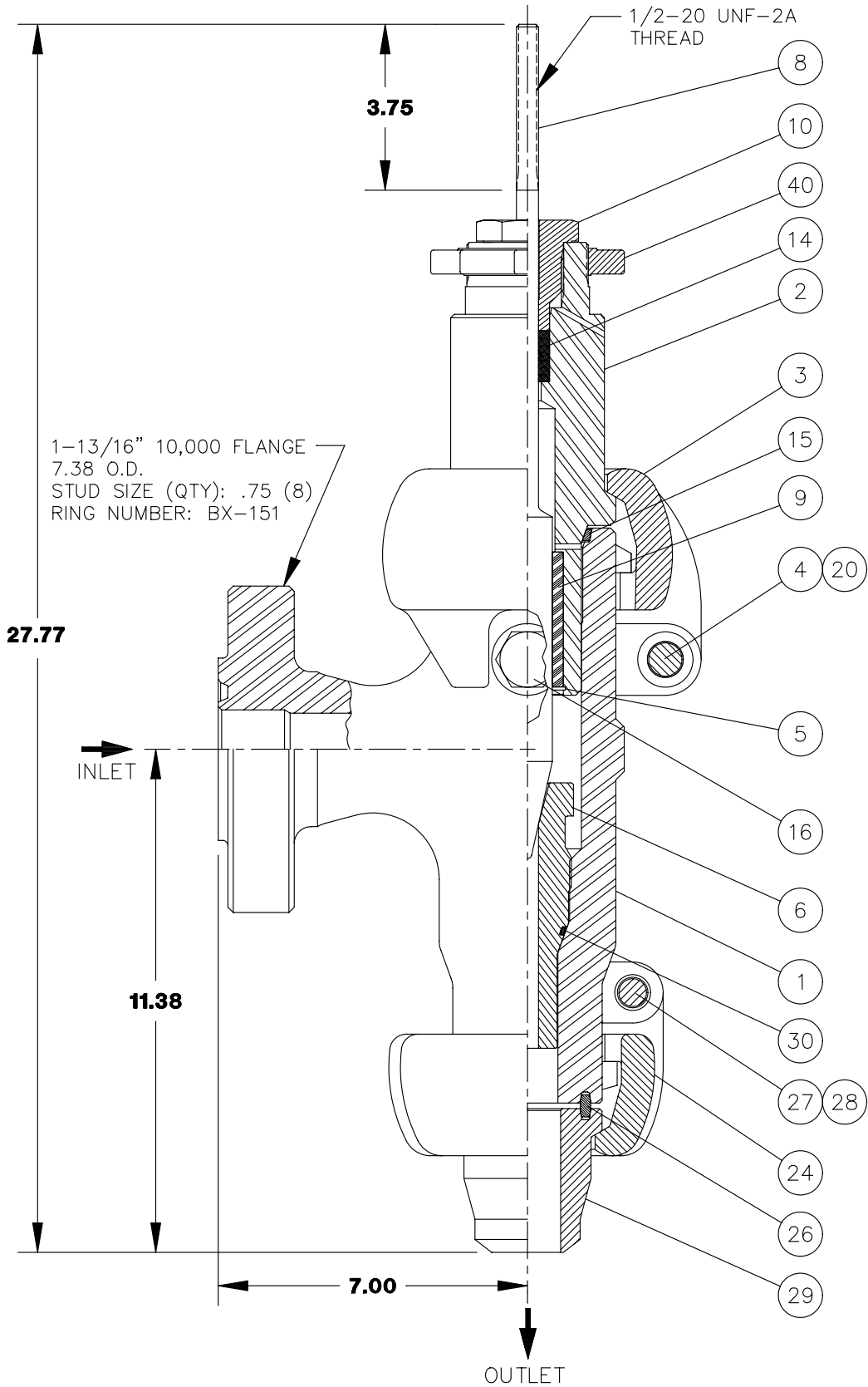
INDEX	REQD	DESCRIPTION	PART NO.	MATERIAL
		ASSEMBLY BASE NUMBER	J092919	
1	1	BODY - 1-13/16" 10,000 - 2-1/16" 10,000 - 2-9/16" 10,000	J090304-XOX	-001 ALLOY STEEL (STANDARD SERVICE)
			J090713-XOX	-101 ALLOY STEEL (NACE SERVICE)
			J090714-XOX	-002 STAINLESS STEEL (STANDARD SERVICE) -102 STAINLESS STEEL (NACE SERVICE)
2	1	YOKE HUB	J090873-XOX	-001 ALLOY STEEL (STANDARD SERVICE) -101 ALLOY STEEL (NACE SERVICE) -002 STAINLESS STEEL (STANDARD SERVICE) -102 STAINLESS STEEL (NACE SERVICE)
3	1	NUT MEMBER	J090306	ALLOY STEEL
4	1	T-HEAD BOLT	J090064-34084	STEEL
5	1	RETAINER RING	J090066-162	STAINLESS STEEL
6	1	SEAT - .50" BORE - .75" BORE - 1.00" BORE	J090284-002	STAINLESS STEEL
			J090285-002	
			J090286-002	
		SEAT - .50" BORE - .75" BORE - 1.00" BORE	J090287	TUNGSTEN CARBIDE (SEE NOTE 2.)
			J090288	
			J090289	
8	1	STEM	J090878-002	STAINLESS STEEL
			J090877	TUNGSTEN CARBIDE (SEE NOTE 2.)
9	1	STEM BEARING	J090912-002	FIBER FILLED RYTON
10	1	PACKING GLAND	J090940	STAINLESS STEEL
14	1	PACKING SET	J090904	COTTON/NYLON/TFE IMPREGNATED
15	1	SEAL RING	J090168-00X	-001 BRONZE, -002 STAINLESS STEEL
16	1	BLEEDER PLUG w/GASKET	J090294	STAINLESS STEEL/MONEL
28	1	NUT - T-HEAD BOLT	2709000-08-01	STEEL
30	1	O-RING - SEAT	J005521-220	VITON
40	1	RETAINER NUT - FISHER ACTUATOR	J092534	STEEL

NOTE:

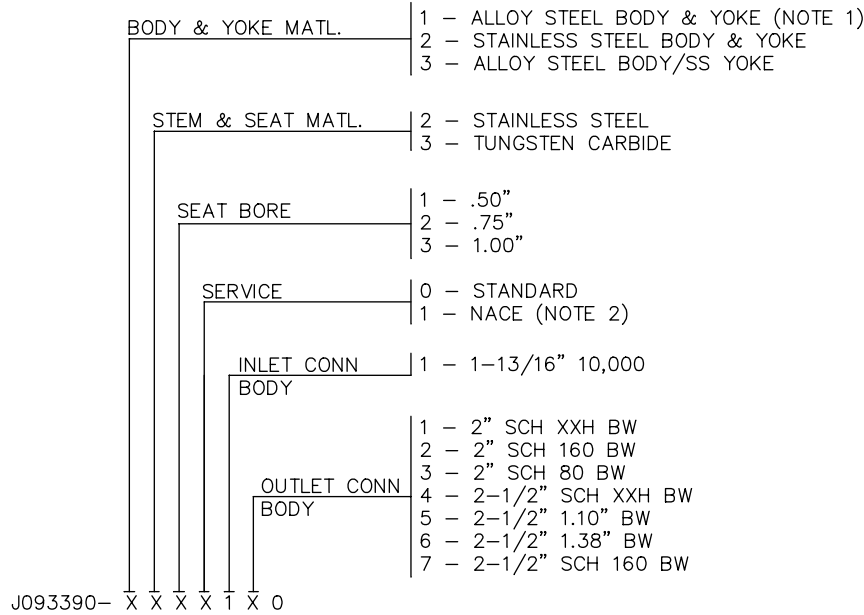
1. Stainless Steel Yoke Hub recommended with Stainless Steel Stem & Seat (Body & Yoke Hub - Option 3).
2. Tungsten Carbide Stem & Seat required for NACE Service.

**THORNHILL CRAVER
2" UNIBOLT ADJUSTABLE CHOKE
WITH TAPER TYPE SEAL**

**FOR FISHER SIZE 45 DIAPHRAGM ACTUATOR
10,000 WP API FLANGED INLET & UNIBOLT OUTLET**



ASSEMBLY PART NUMBER

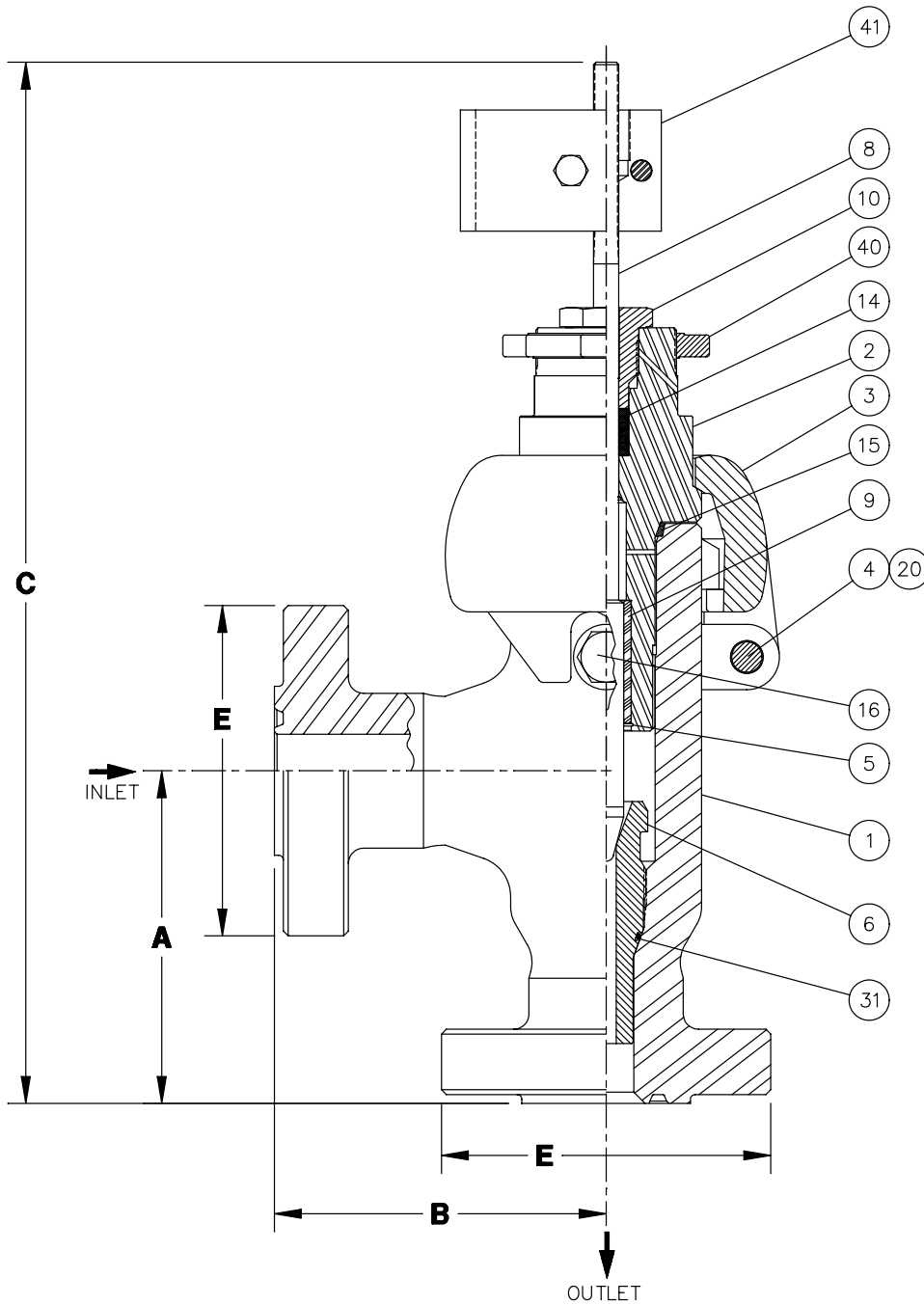


PARTS LIST

INDEX	REQD	DESCRIPTION	PART NO.	MATERIAL
		ASSEMBLY BASE NUMBER	J093390	
1	1	BODY - 1-13/16" 10,000	J090310-X0X	-001 ALLOY STEEL (STANDARD SERVICE) -101 ALLOY STEEL (NACE SERVICE) -002 STAINLESS STEEL (STANDARD SERVICE) -102 STAINLESS STEEL (NACE SERVICE)
2	1	YOKE HUB	J090873-X0X	-001 ALLOY STEEL (STANDARD SERVICE) -101 ALLOY STEEL (NACE SERVICE) -002 STAINLESS STEEL (STANDARD SERVICE) -102 STAINLESS STEEL (NACE SERVICE)
3	1	NUT MEMBER	J090306	ALLOY STEEL
4	1	T-HEAD BOLT	J090064-34084	STEEL
5	1	RETAINER RING	J090066-162	STAINLESS STEEL
6	1	SEAT - .50" BORE	J090284-002	STAINLESS STEEL
		- .75" BORE	J090285-002	
		- 1.00" BORE	J090286-002	
		SEAT - .50" BORE	J090287	TUNGSTEN CARBIDE (SEE NOTE 2.)
		- .75" BORE	J090288	
		- 1.00" BORE	J090289	
8	1	STEM	J090878-002	STAINLESS STEEL
			J090877	TUNGSTEN CARBIDE (SEE NOTE 2.)
9	1	STEM BEARING	J090912-002	FIBER FILLED RYTON
10	1	PACKING GLAND	J090940	STAINLESS STEEL
14	1	PACKING SET	J090904	COTTON/NYLON/TFE IMPREGNATED
15	1	SEAL RING	J090168-00X	-001 BRONZE, -002 STAINLESS STEEL
16	1	BLEEDER PLUG w/GASKET	J090294	STAINLESS STEEL/MONEL
20	1	NUT - T-HEAD BOLT	2709000-08-01	STEEL
24	1	NUT MEMBER - OUTLET	J090123	ALLOY STEEL
26	1	SEAL RING - OUTLET	J090129-00X	-001 BRONZE, -002 STAINLESS STEEL
27	1	T-HEAD BOLT - OUTLET	J090064-32068	STEEL
28	1	NUT - T-HEAD BOLT - OUTLET	2709000-07-01	STEEL
29	1	PLAIN HUB - OUTLET - 2" SCH XXH BW	J090149-001	STEEL
		- 2" SCH 160 BW	J090150-001	
		- 2" SCH 80 BW	J090151-001	
		- 2-1/2" SCH 160 BW	J090152-001	
		- 2-1/2" 1.10" BW	J090153-001	
		- 2-1/2" 1.38" BW	J090154-001	
		- 2-1/2" SCH 160 BW	J090155-001	
30	1	O-RING - SEAT	J005521-220	VITON
40	1	RETAINER NUT - FISHER ACTUATOR	J092534	STEEL

NOTE:
 1. Stainless Steel Yoke Hub recommended with Stainless Steel Stem & Seat (Body & Yoke Hub - Option 3).
 2. Tungsten Carbide Stem & Seat required for NACE Service.

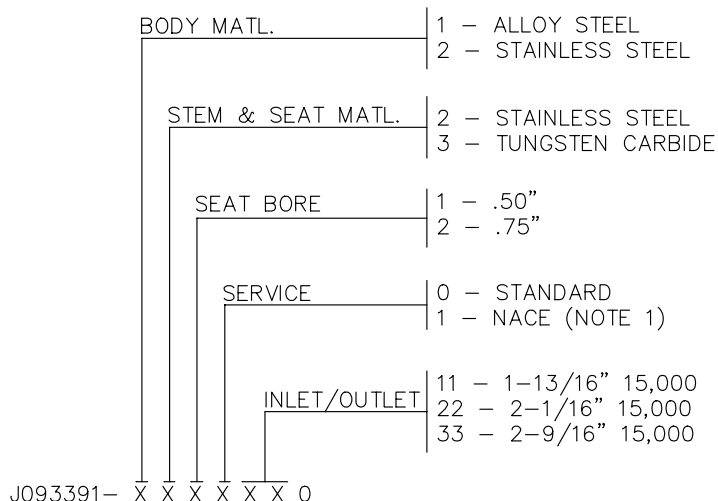
THORNHILL CRAVER
2" UNIBOLT ADJUSTABLE CHOKE
WITH TAPER TYPE SEAL
FOR FISHER SIZE 70 DIAPHRAGM ACTUATOR
15,000 WP API FLANGED INLET & OUTLET



DIMENSIONS

FLG SIZE	1-13/16"	2-1/16"	2-9/16"
DIMENSION			
A - OUTLET	8.25	8.25	9.88
B - INLET	8.25	8.25	8.88
C (CLOSED)	25.82	25.82	27.44
E - FLANGE O.D.	8.19	8.75	10.00
STUD SIZE (QTY)	.88 (8)	.88 (8)	1.00 (8)
RING NUMBER	BX-151	BX-152	BX-153

ASSEMBLY PART NUMBER



PARTS LIST

INDEX	REQD	DESCRIPTION	PART NO.	MATERIAL
		ASSEMBLY BASE NUMBER	J093391	
1	1	BODY - 1-13/16" 15,000	J090272-X0X	-001 ALLOY STEEL (STANDARD SERVICE)
		- 2-1/16" 15,000	J090274-X0X	-101 ALLOY STEEL (NACE SERVICE)
		- 2-9/16" 15,000	J091786-X0X	-002 STAINLESS STEEL (STANDARD SERVICE) -102 STAINLESS STEEL (NACE SERVICE)
2	1	YOKE HUB	J090872-002	STAINLESS STEEL
3	1	NUT MEMBER	J090275	ALLOY STEEL
4	1	T-HEAD BOLT	J090064-34092	STEEL
5	1	RETAINER RING	J090066-137	STAINLESS STEEL
6	1	SEAT - .50" BORE	J090284-002	STAINLESS STEEL
		- .75" BORE	J090285-002	
		SEAT - .50" BORE	J090287	TUNGSTEN CARBIDE (SEE NOTE 1.)
		- .75" BORE	J090288	
8	1	STEM	J092236-002	STAINLESS STEEL
			J092235	TUNGSTEN CARBIDE (SEE NOTE 1.)
9	1	STEM BEARING	J090911-002	FIBER FILLED RYTON
10	1	PACKING GLAND	J090941	STAINLESS STEEL
14	1	PACKING SET	J090905	COTTON/NYLON/TFE IMPREGNATED
15	1	SEAL RING	J090168-002	STAINLESS STEEL
16	1	BLEEDER PLUG w/GASKET	J090294	STAINLESS STEEL/MONEL
20	1	NUT - T-HEAD BOLT	2709000-08-01	STEEL
31	1	O-RING - SEAT	J005521-220	VITON
40	1	RETAINER NUT - FISHER ACTUATOR	J092538	STEEL
41	1	STEM ADAPTER - FISHER ACTUATOR	J092519	STEEL

NOTE:

1. Tungsten Carbide Stem & Seat required for NACE Service.