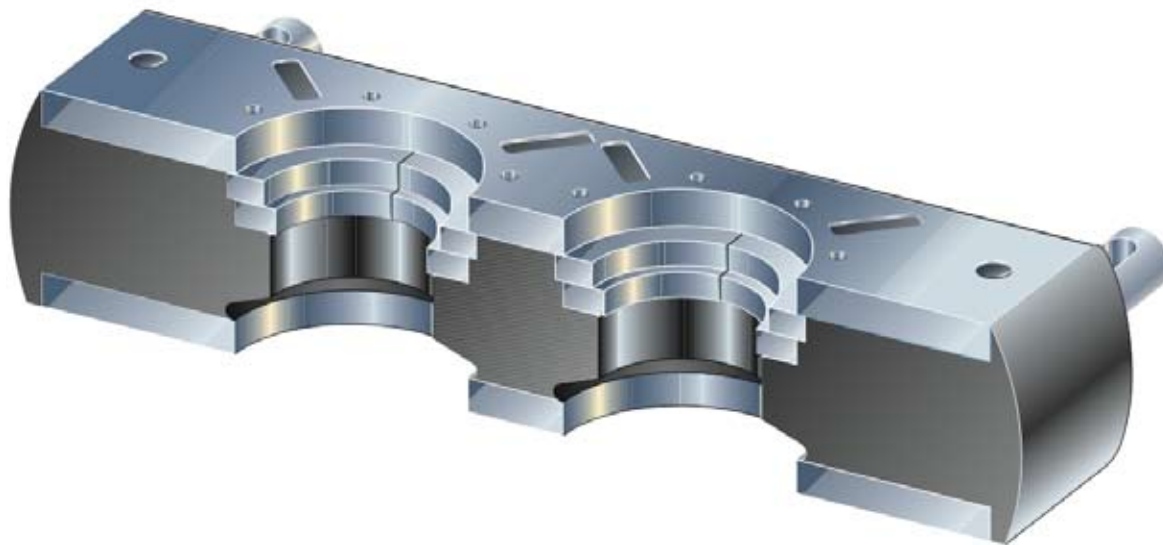


CAMRAM™ Dual Bore FLEXPACKER™

13-5/8"-3000, 5000 and 10,000 psi WP U BOPs



CAMRAM Dual Bore FLEXPACKER

Availability

CAMERON® 13-5/8" CAMRAM Dual Bore FLEXPACKER is available from Cameron's elastomer facility in Katy, Texas.

Please call 713.391.4644

for price and delivery information.

Description

The 13-5/8" CAMRAM™ Dual Bore FLEXPACKER is designed to seal on three different pipe sizes in two different packer bores. Each of the pipe bores can adjust and seal on 2-3/8", 2-7/8" and 3-1/2" pipe sizes. The centerlines of the two pipe bores are symmetrical to the centerline of the packer and are 5-3/64" apart.

The 13-5/8" CAMRAM Dual Bore FLEXPACKER expands on the proven technology developed in the single bore CAMRAM FLEXPACKER which utilizes patented radially moving stacked anti-extrusion segments. In the dual bore FLEXPACKER, each layer of the segments is machined to fit a specific pipe size within the sealing range (2-3/8" and 2-7/8"). The top plate and bottom packer plates are machined to match the 3-1/2" pipe. As different sizes of pipe are introduced into the sealing bore and the BOP rams are closed, the segments within the packer align to fit closely around the pipe and prevent rubber extrusion as pressure is applied.