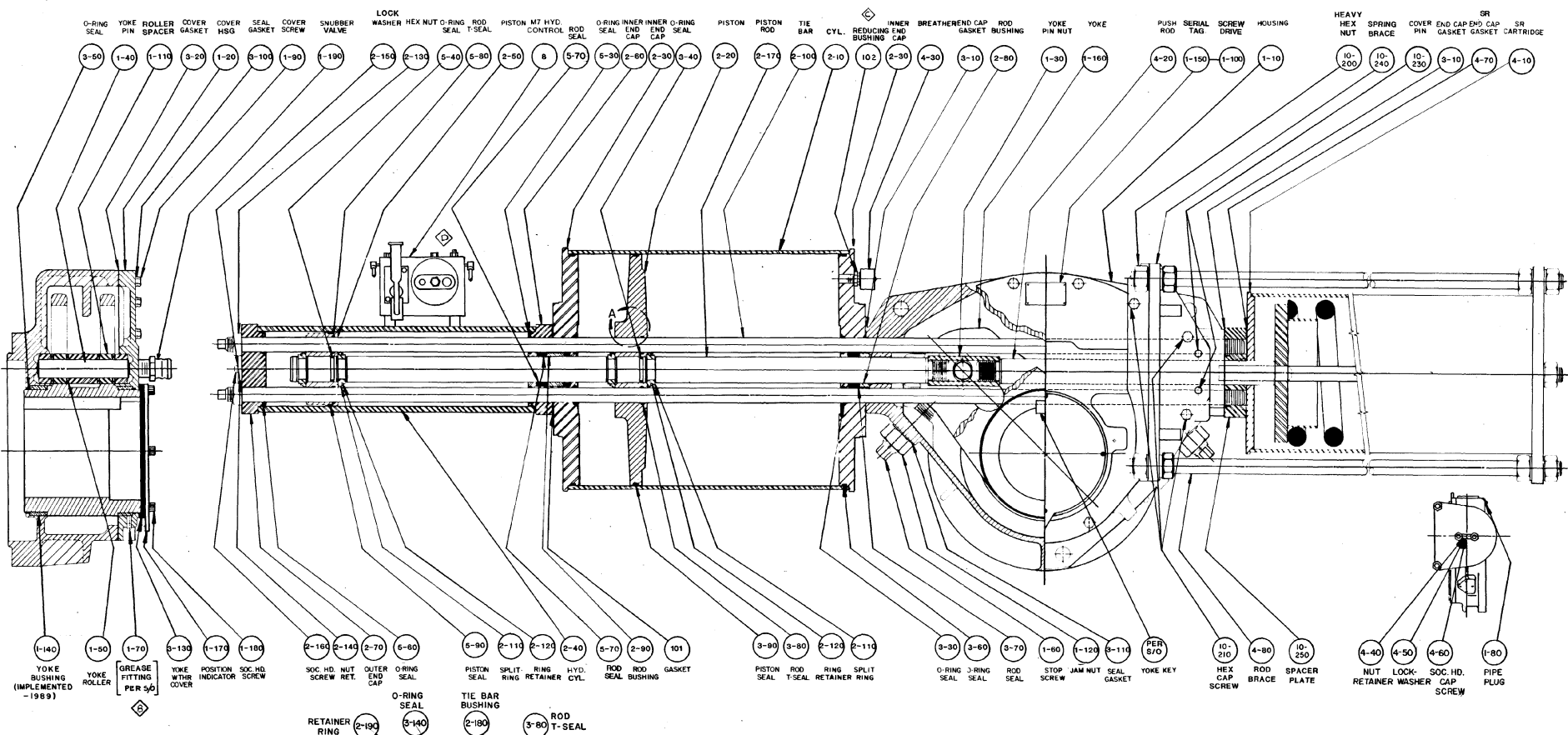
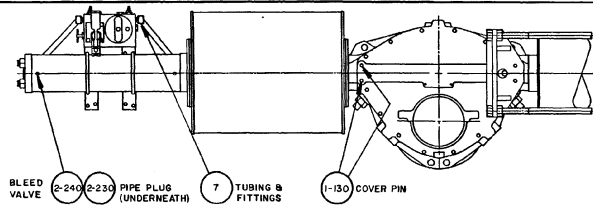
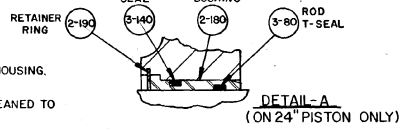


REVISIONS		
LTR	ECO	DATE
A	7499	1-26-82
B	7702	3-5-83
C	7875	10-27-83
D	8553	2-24-85
E	9876	10-19-88
F	10111	3/21/89



- NOTES:
- SERIAL NUMBER TAG (1-150) TO BE PLACED ON TOP OF HOUSING.
 - ALL PARTS SHOULD BE INSPECTED AND CAREFULLY CLEANED TO REMOVE ALL DIRT AND OTHER FOREIGN MATTER.
 - APPLY LUBRICANT TO ALL COMPONENTS AS INSTRUCTED IN THE OPERATING & MAINTENANCE INSTRUCTIONS. LUBRICANT IS ITEM (3-150)
 - INSPECT PER ES-6



THIS DRAWING CONTAINS CONFIDENTIAL AND PROPRIETARY INFORMATION OF GIBBETTIS AND IS SUBMITTED TO YOU FOR THE LIMITED PURPOSE OF PROVIDING YOU INFORMATION TO FACILITATE YOUR USE AND/OR MAINTENANCE OF PRODUCTS PURCHASED BY YOU FROM GIBBETTIS. BY ACCEPTING THIS DOCUMENT, YOU AGREE NOT TO USE SUCH CONFIDENTIAL INFORMATION FOR ANY PURPOSE OTHER THAN THE LIMITED PURPOSE STATED HEREIN AND FURTHER AGREE NOT TO DISCLOSE THIS INFORMATION TO OTHERS EXCEPT IN ACCORDANCE WITH THE LIMITED PURPOSE STATED HEREIN.	MATERIAL PER BSM	GENERAL TOLERANCES UNLESS OTHERWISE SPECIFIED	DWN <i>[Signature]</i> DATE 1-26-82	TITLE: ASSEMBLY DWG T8XX-SR(CCW)-M7 ACTUATOR	
	FINISH SERIES	APPROX. WEIGHT 1.65	CHK <i>[Signature]</i> DATE 2-25-82		
	APPROX. WEIGHT 1.65	APPD <i>[Signature]</i> DATE 3-12-82	SURFACE FINISH REMOVE BUMPS AND SHARP EDGES		
	APPD <i>[Signature]</i> DATE 3-12-82	DO NOT SCALE DWG	SCALE NONE		
PART No. 48100		SHEET 1 OF 1		REV. F	

48100