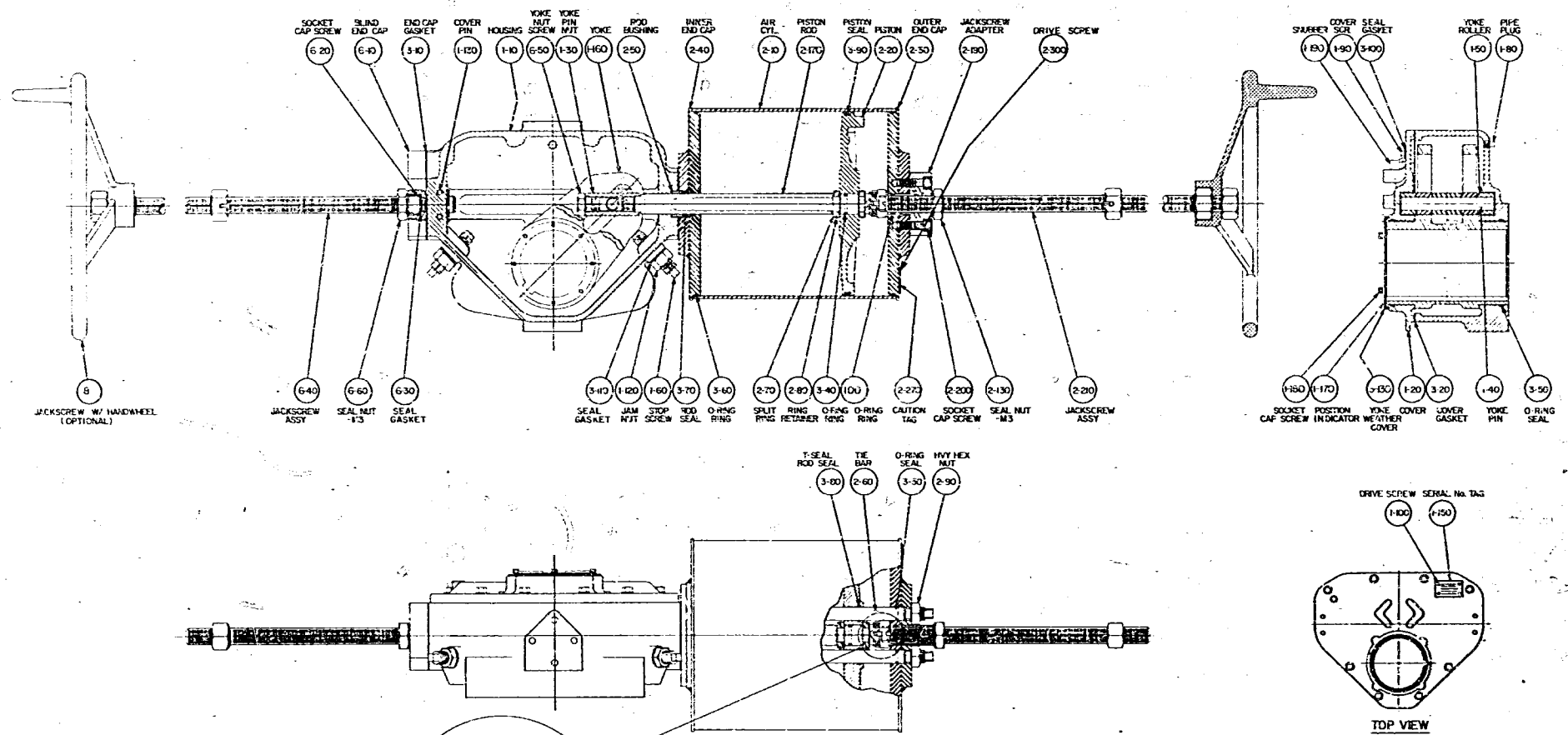
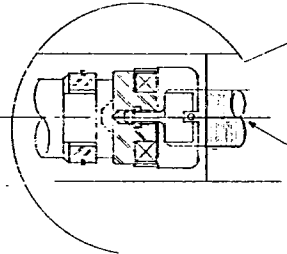


REVISIONS		
REV	ECO	DATE
A	8287	1-11-85
B	8215	1-31-85
C	87008	8-7-90
D	10415	12/90



**NOTES:**

- 1) SERIAL No. TAG (1-150) TO BE PLACED ON TOP OF HOUSING.
- 2) ALL PARTS SHOULD BE INSPECTED AND CAREFULLY CLEANED TO REMOVE ALL DIRT AND OTHER FOREIGN MATTER
- 3) APPLY GREASE (3-50) LIBERALLY TO ALL COMPONENTS.
- 4) INSPECT PER ES-6
- 5) CAUTION TAG (2-270) TO BE TACKED TO OUTER END CAP OPPOSITE PRESSURE INLET.



NOTE: TIMKEN THRUST BRG. #T-88 HAS CAPACITY TO WITHSTAND 17,600 LB. THRUST LOAD AT 0-5 RPM.

This drawing contains proprietary information of GIBETTIS and is intended for use by the customer only. It is not to be distributed or used for any other purpose without the written consent of GIBETTIS. GIBETTIS is not responsible for any errors or omissions in this drawing. The customer is responsible for verifying the dimensions and specifications of all parts shown in this drawing. GIBETTIS is not responsible for any damage to property or injury to persons resulting from the use of this drawing. GIBETTIS is not responsible for any loss of data or information resulting from the use of this drawing. GIBETTIS is not responsible for any other consequences resulting from the use of this drawing.

GENERAL TOLERANCES UNLESS OTHERWISE SPECIFIED:		DWN 2-20-85	DATE 12-11-85	TITLE: ASSEMBLY DRWG. T3XXB-M3 ACTUATOR	 <b>GIBETTIS</b> A GIBETTIS-HOUSTON COMPANY
DECIMAL:	IN MM	CHK [Signature]	DATE 12-15-85		
1/16	1.50 0.254	APPD [Signature]	DATE 12-15-85		
1/32	0.063 0.127	APPD [Signature]		SURFACE FINISH REMOVE BURRS AND SHARP EDGES DO NOT SCALE DWG. SCALE NONE DWG SIZE C	PART No. D-63718 SHEET J OF 1 REV

D-63718