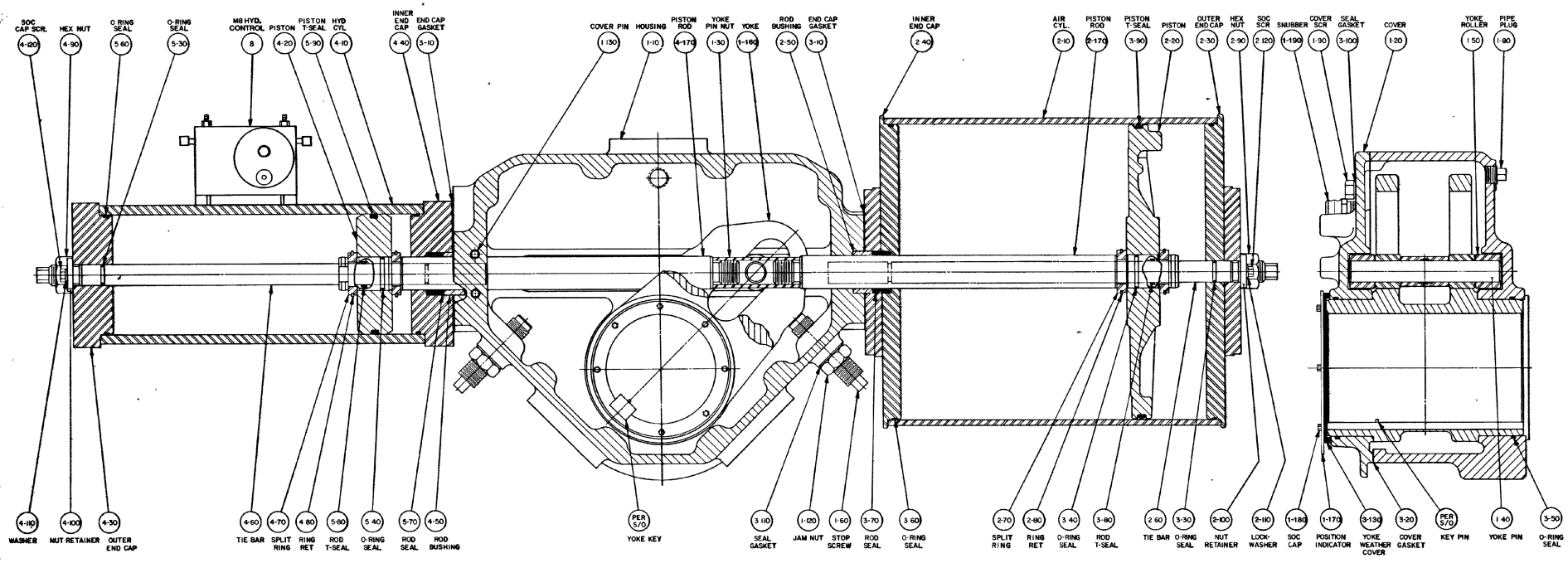
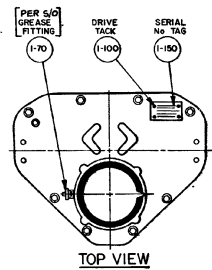


REVISIONS	
REV	DATE
A	8/24 7-19-94



- NOTES:**
- 1) ALL PARTS SHOULD BE INSPECTED AND CAREFULLY CLEANED TO REMOVE ALL DIRT AND OTHER FOREIGN MATTER.
 - 2) APPLY GREASE (3-160) LIBERALLY TO ALL COMPONENTS BEFORE ASSEMBLY.
 - 3) INSPECT PER ES-6.



- NOT SHOWN:**
- 4-150 PIPE PLUG
 - 4-160 BLEED VALVE
 - 7 TUBING & FITTINGS

The drawing contains confidential and proprietary information. It is loaned to you for the limited purpose of producing and/or repairing the product. It is not to be used for any other purpose without the express written consent of the manufacturer. You are not to use such confidential information for any purpose other than the limited purpose stated herein and further agree to disclose such information to others except in accordance with the limited purpose stated herein.

1984 HOUSTON, TEXAS

NETTEC CORPORATION

TITLE ASSEMBLY DRWG. 14XX - M8 ACTUATORS

REVISED BY: [Signature] DATE: 7-19-94

SCALE: NONE

DWG NO: D-6288

SHEET: 1 OF 1