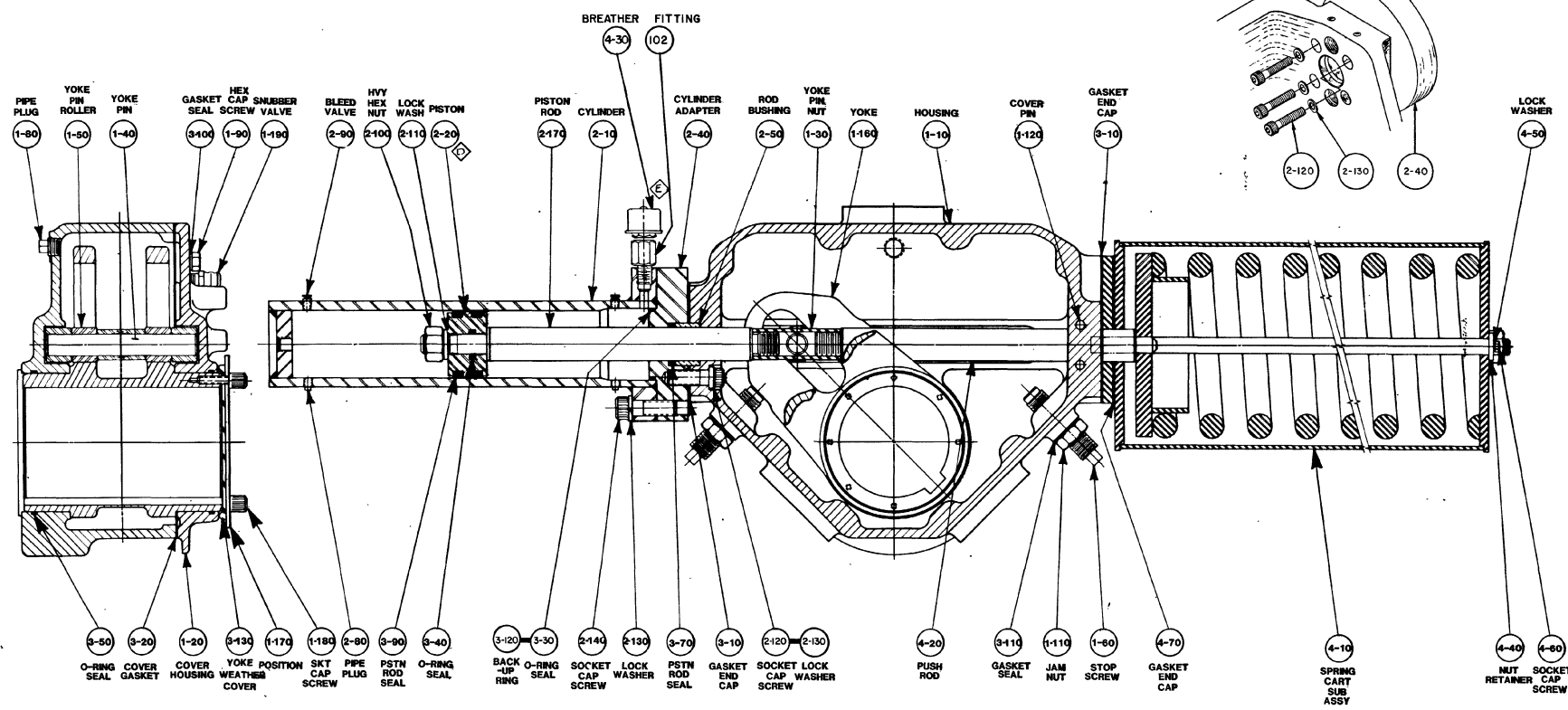
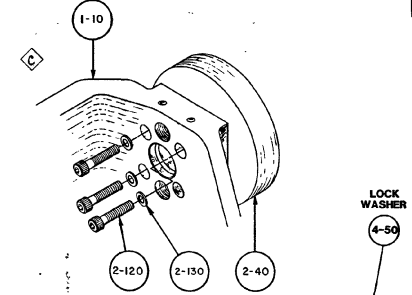


REVISIONS		
LYR	ECO	DATE
A	7499	2-1-82
B	7702	3-5-83
C	8265	12-20-84
D	8340	3-13-85
E	8504	8-9-85

INSTALLING CYLINDER ADAPTER  
QTY. 3 BOLTS (2-120)



**NOTES:**

- 1) ALL PARTS SHOULD BE INSPECTED AND CAREFULLY CLEANED TO REMOVE ALL DIRT AND OTHER FOREIGN MATTER.
- 2) APPLY GREASE LIBERALLY TO ALL COMPONENTS BEFORE ASSEMBLY.
- 3) COAT ALL SEALS WITH OIL BEFORE INSTALLATION.
- 4) SERIAL No. TAG (1-150) TO BE PLACED ON TOP OF HOUSING.
- 5) CHECK POSITION OF CYLINDER ADAPTER - PROPER SIDE FACING UP.

**NOT SHOWN:**

- 1-70 GREASE FITTING PER 3/0
- 3-150 GREASE
- 1-100 DRIVE SCREW
- 1-150 SERIAL No TAG
- 2-150 O-RING PLUG

THIS DRAWING CONTAINS CONFIDENTIAL AND PROPRIETARY INFORMATION OF GIBBETTIS AND IS SUBMITTED TO YOU FOR THE LIMITED PURPOSE OF PROVIDING YOU INFORMATION TO FACILITATE YOUR USE AND/OR MAINTENANCE OF PRODUCTS PURCHASED BY YOU FROM GIBBETTIS. BY RECEIVING THIS DOCUMENT, YOU AGREE NOT TO USE SUCH CONFIDENTIAL INFORMATION FOR ANY PURPOSE OTHER THAN THE LIMITED PURPOSE STATED HEREIN AND FURTHER AGREE NOT TO DISCLOSE SUCH INFORMATION TO OTHERS EXCEPT IN ACCORDANCE WITH THE LIMITED PURPOSE STATED HEREIN.	GENERAL TOLERANCES UNLESS OTHERWISE SPECIFIED: DECIMAL IN MM .10 2.54 .005 0.127 .001 0.025	DWN <i>JB</i> DATE 1-31-82 CHK <i>Sumner</i> 2-25-82 APP'D <i>[Signature]</i> 3-18-82 APP'D	TITLE <b>ASSEMBLY DWG T40X-X-SR(CCW) ACTUATOR</b>	A GIBBETTIS-HOUSTON Company PART No. <b>48097</b> SHEET 1 OF 1 REV E
	ANGULAR ± 1° CONCENTRICITY .005 .127 SURFACE FINISH REMOVE BURRS AND SHARP EDGES	SURFACE FINISH REMOVE BURRS AND SHARP EDGES DO NOT SCALE DWG	SCALE NONE DWG SIZE D	
	FILLETS 0.038 0.964	SD No L O No	DWG SIZE D	
	DO NOT SCALE DWG	SHEET 1 OF 1 REV E	DWG SIZE D	

D 48097