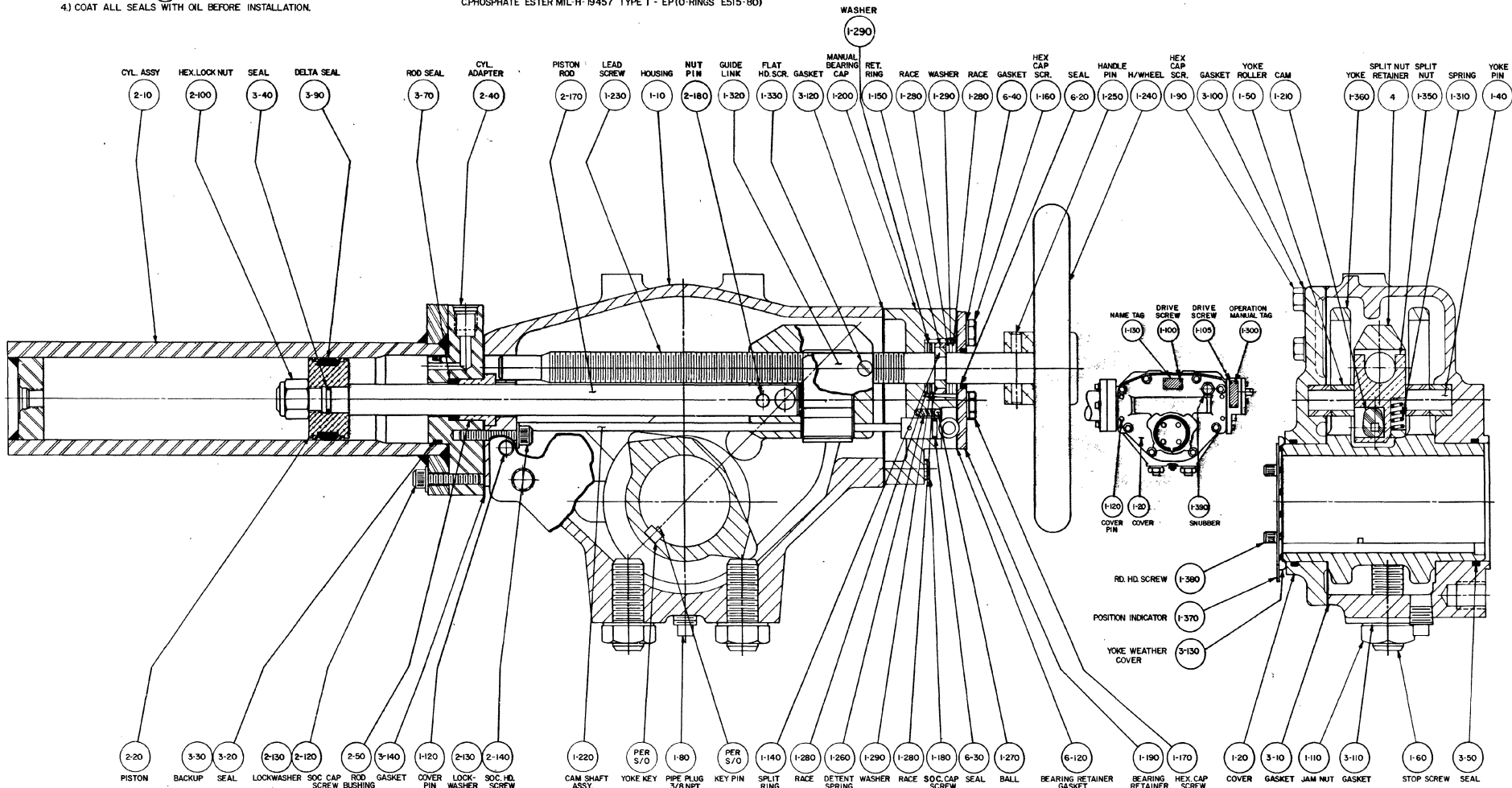


NOTES:

- 1.) SERIAL NUMBER TAG (1-130) TO BE PLACED ON TOP OF HOUSING.
- 2.) ALL PARTS SHOULD BE INSPECTED AND CAREFULLY CLEANED TO REMOVE ALL DIRT AND OTHER FOREIGN MATTER.
- 3.) APPLY GREASE (3-150) LIBERALLY TO ALL COMPONENTS BEFORE ASSY
- 4.) COAT ALL SEALS WITH OIL BEFORE INSTALLATION.
- 5.) USE "LOCTITE 242" FOR FLAT HD. SCREWS (1-330).
- 6.) SEAL INFORMATION:
A. STANDARD UNITS- STD. NITRILE (AS SHOWN).
B. PETROLEUM BASE MIL-L-17331- VITON (O-RINGS- PARKER V747-75)
C. PHOSPHATE ESTER MIL-H-19457 TYPE I - EP(O-RINGS E515-80)

- 7.) HEX HD. O-RING PLUG (2-80) TO BE INSTALLED IN CYL. ASSY. (2-10)
- 8.) HEX HD. O-RING PLUG (2-150) TO BE INSTALLED IN CYL. ASSY (2-10) AND CYL. ADAPTER (2-40).

REVISIONS		
LTN	ECO	DATE
A	7804	6-9-83
B	8837	5/7/86
C	9844	6-2-86
D	AB492	12/87



NOT SHOWN:

- (2-80) HEX HD. O-RING PLUG
- (2-150) HEX HD. O-RING PLUG
- (3-150) GREASE

THIS DRAWING CONTAINS CONFIDENTIAL AND PROPRIETARY INFORMATION OF BENTLEY AND IS LOANED TO YOU FOR THE LIMITED PURPOSE OF PROVIDING YOU INFORMATION TO FACILITATE YOUR USE AND MAINTENANCE OF PRODUCTS PURCHASED BY YOU FROM BENTLEY. IF YOU RECEIVE THIS DOCUMENT, YOU AGREE NOT TO USE SUCH CONFIDENTIAL INFORMATION FOR ANY PURPOSE OTHER THAN THE LIMITED PURPOSES HEREIN AND FURTHER AGREE NOT TO DISCLOSE SUCH INFORMATION TO OTHERS EXCEPT AS ACCORDANCE WITH THE LIMITED PURPOSES STATED HEREIN.

1983 HUNTON TEXAS

BENTLEY

TITLE: **ASSY. DRAWING T2020-M ACT'S.**

DATE: 12/87

BY: [Signature]

CHECKED: [Signature]

APPROVED: [Signature]

SCALE: NONE

OTHER: D-60001 D

10009-D