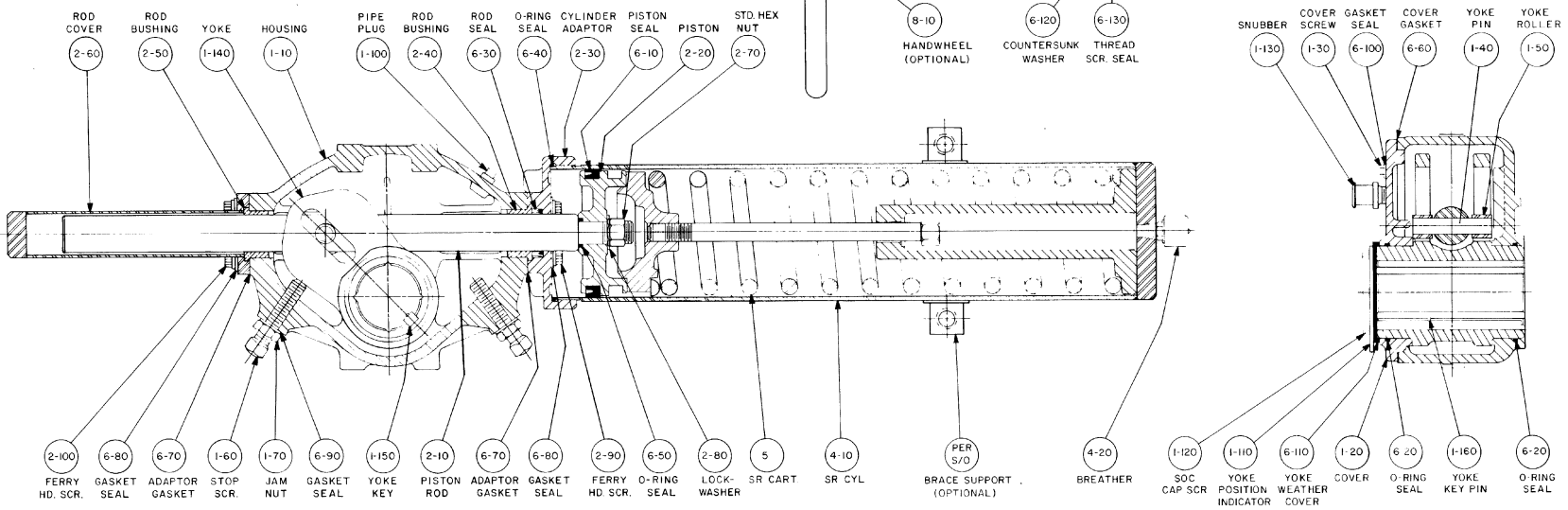
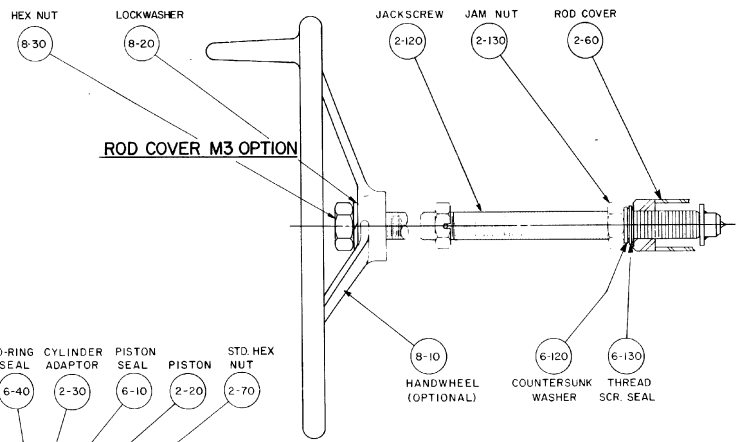
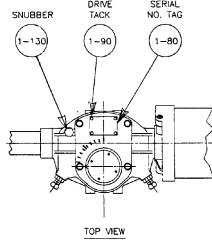


A	8280	1-10-85
B	8481	1-27-86
C	8773	4-86
D	8902	10-86
E	9066	1-16-87
F	10415	2-23-88



NOTES:

- SERIAL NUMBER TAG (1-80) TO BE PLACED ON TOP OF COVER—SEE TOP VIEW
- ALL PARTS SHOULD BE INSPECTED AND CAREFULLY CLEANED TO REMOVE ALL DIRT AND OTHER FOREIGN MATTER
- APPLY GREASE (6-153) TO ALL COMPONENTS BEFORE ASSEMBLY
- INSPECT PER ES-6

NOT SHOWN:

- (2-110) PIPE PLUG
- (6-150) GREASE

* THIS DRAWING CONTAINS CONFIDENTIAL AND PROPRIETARY INFORMATION OF GIBBETT AND IS SUBMITTED TO YOU FOR THE LIMITED PURPOSE OF PROVIDING YOU INFORMATION TO FACILITATE YOUR USE AND/OR MAINTENANCE OF PRODUCTS PURCHASED BY YOU FROM GIBBETT. BY RECEIVING THIS DOCUMENT, YOU AGREE NOT TO USE SUCH CONFIDENTIAL INFORMATION OR ANY PURPOSE OTHER THAN THE LIMITED PURPOSES SET FORTH AND FURTHER AGREE NOT TO DISCLOSE SUCH INFORMATION TO OTHERS EXCEPT IN ACCORDANCE WITH THE LIMITED PURPOSES SET FORTH HEREIN.

GENERAL TOLERANCES UNLESS OTHERWISE SPECIFIED	DWG. D. ROSS	1-10-85
FRACTIONAL	1:1	1:10-85
DECIMAL	± 0.00 ± 0.01	
ANGLES	± 0.05 ± 0.1	
RADIUS	± 0.05 ± 0.1	
DIAMETER	± 0.05 ± 0.1	
WELD	± 0.1	
FINISH	REMOVE BURRS AND SHARP EDGES	
SCALE	DO NOT SCALE DWG	

TITLE
ASSEMBLY DRWG
N521/721-SR(CCW)B
N521/721SR(CCW)-M3



PART NO. D63699 F
SHEET 1 OF 1 REV

D-63699