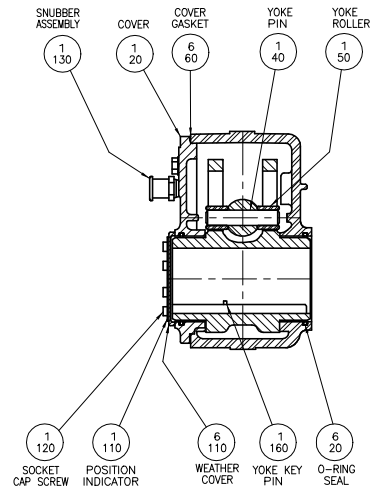
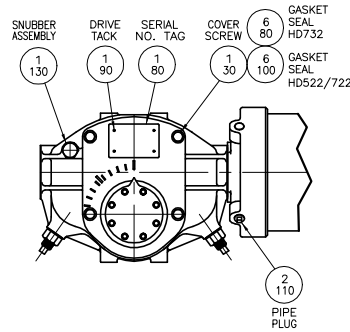
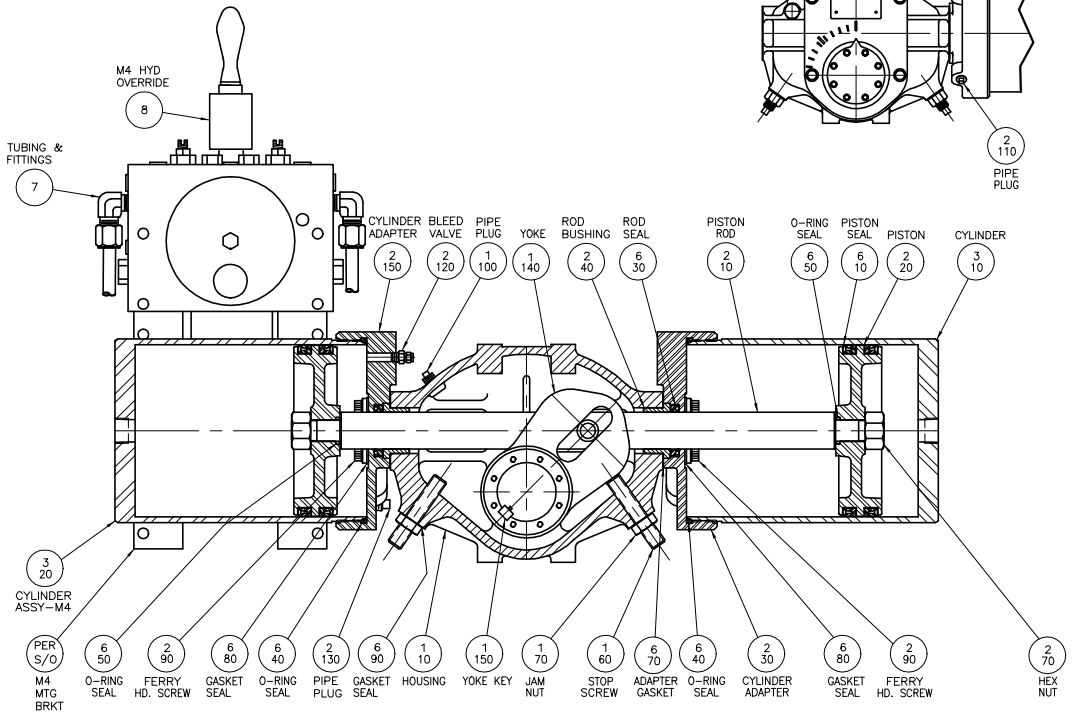


NOTES:

1. SERIAL NUMBER TAG (1-80) TO PLACED ON TOP OF COVER - SEE TOP VIEW.
2. ALL PARTS SHOULD BE INSPECTED AND CAREFULLY CLEANED TO REMOVE ALL DIRT AND OTHER FOREIGN MATTER.
3. APPLY GREASE (6-150) LIBERALLY TO ALL COMPONENTS BEFORE ASSEMBLY.
4. INSPECT PER ES-6.



REVISIONS		
LTN	EDN	DATE
B	ADD	1/98

DRAWN BY: MUSCAL CHECKED BY: GUMANN APPROVED BY: KANE	DATE: 04/21/83 DATE: 04/26/83 DATE: 05/11/83	TITLE: ASSEMBLY DRWG HD521/721/731-M4 HEAVY DUTY	
THIS DOCUMENT AND THE DATA DISCLOSED HEREIN OR HEREON IS NOT TO BE REPRODUCED, USED OR DISCLOSED IN WHOLE OR IN PART TO ANYONE WITHOUT THE PERMISSION OF ETTS.			PART NO. 049679
SALES ORDER:			SCALE: NONE DWG. SIZE: D SHEET 1 OF 1 REV.