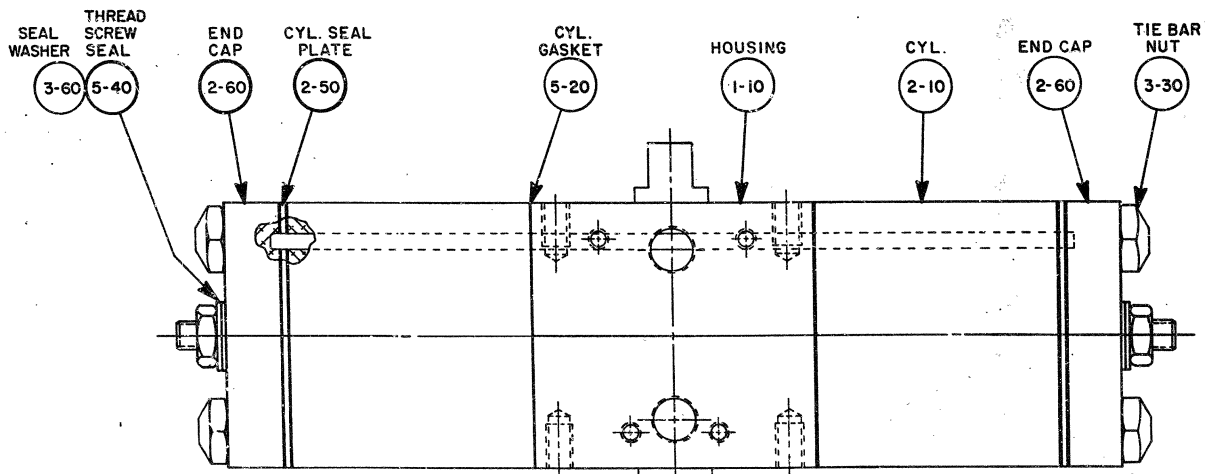
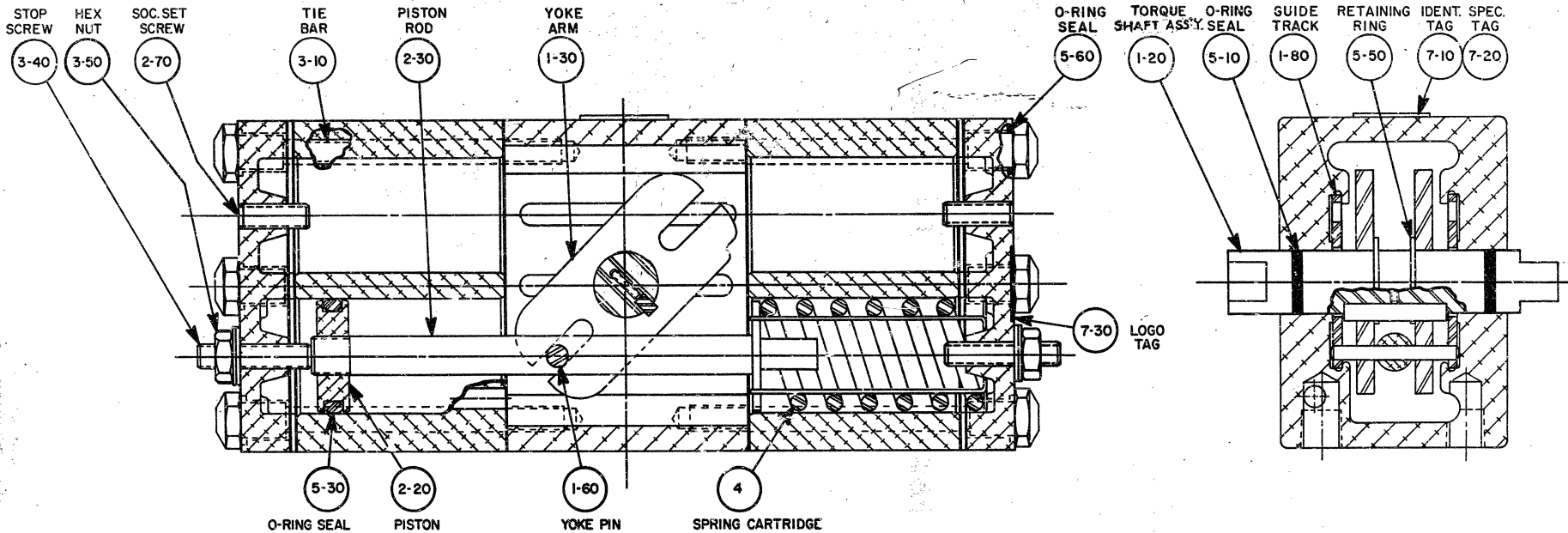


REVISIONS		
LTN	ECN	DATE
A	8122	7-18-84
B	8132	7-27-84
C	8539	4-24-85



NOTES:

- 1.) ALL PARTS SHOULD BE INSPECTED AND CAREFULLY CLEANED TO REMOVE ALL DIRT AND FOREIGN MATTER.
- 2.) APPLY GREASE (5-80) PER ESL-8 LIBERALLY TO ALL COMPONENTS BEFORE ASSEMBLY.
- 3.) SOCKET SET SCREW IS ASSEMBLED AS PART OF TORQUE SHAFT ASSY (1-20). INSTALL USING LOCTITE 271.
- 4.) INSPECT PER ES-6.
- 5.) SOCKET SET SCREW (2-70) ARE ASSEMBLED USING RECTOR SEAL PER ESMA 4601.

<small>* THIS DRAWING CONTAINS CONFIDENTIAL AND PROPRIETARY INFORMATION OF GE-HITACHI AND IS SUBMITTED TO YOU FOR THE LIMITED PURPOSE OF PROVIDING YOU INFORMATION TO FACILITATE YOUR REGULAR MAINTENANCE OF PRODUCTS PROVIDED BY YOU FROM GE-HITACHI. BY RECEIVING THIS DOCUMENT, YOU AGREE NOT TO DISCLOSE CONFIDENTIAL INFORMATION FOR ANY PURPOSE OTHER THAN THE LIMITED PURPOSE SPECIFIED AND FURTHER AGREE NOT TO REPRODUCE OR REPRODUCE TO OTHERS EXCEPT AS ACCORDANCE WITH THE LIMITED PURPOSE STATED HEREIN.</small>	<small>DWN</small> <i>M. J. Jones</i> 7-18-84 <small>CHK</small> <i>J. M. Jones</i> 7-19-84 <small>APP'D</small> <i>J. M. Jones</i> 7-19-84 <small>APP'D</small>	TITLE: ASSY. DRWG. GT110/2 - SR GT450/2 - SR GT1350/2 - SR	 <small>A GEC-Alsthon Company</small>	
	<small>DO NOT SCALE DWG. SCALE NONE DWG SIZE D</small>			PART No. 66195
	<small>SHEET 1 OF 1</small>			REV. C