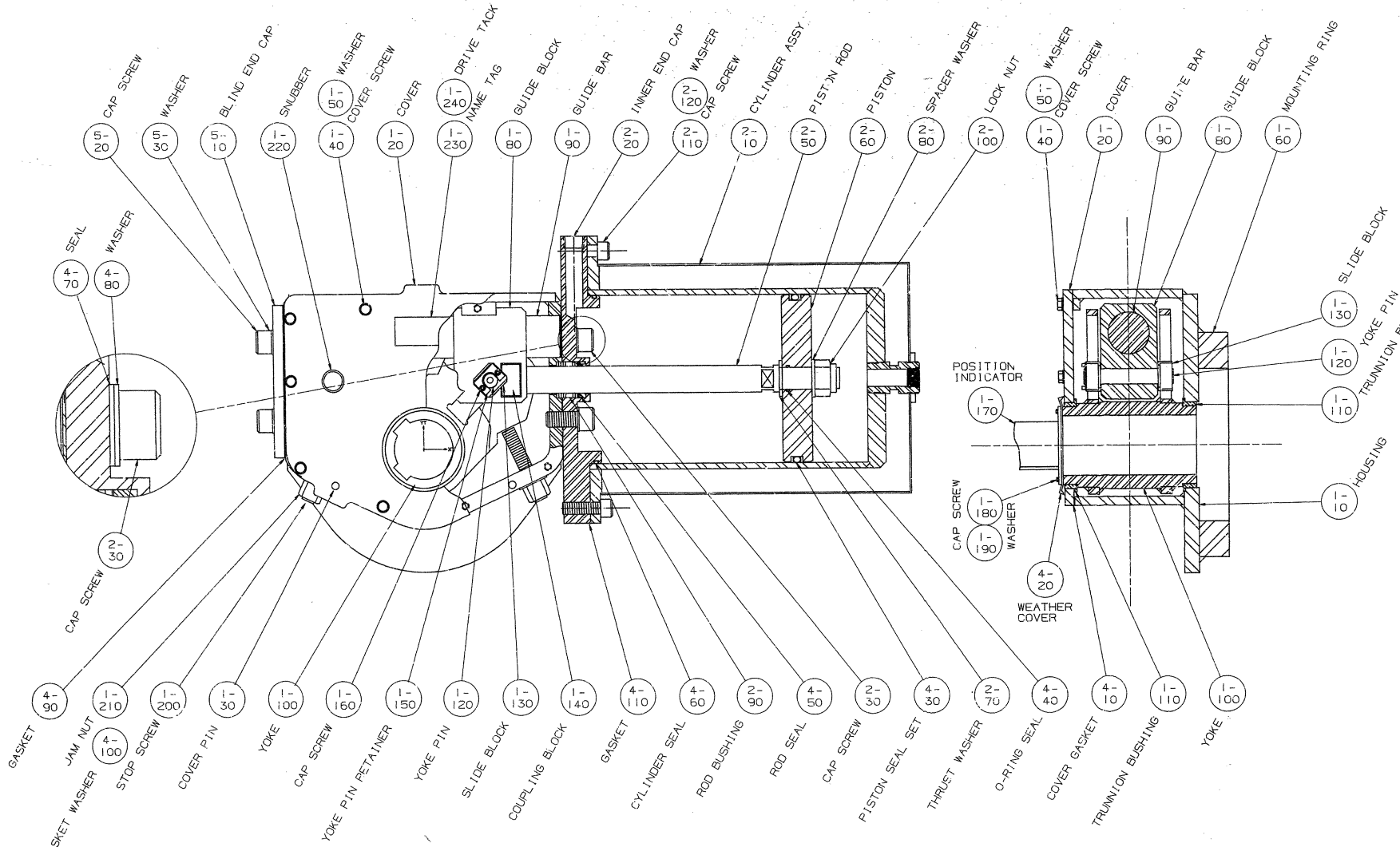


REVISIONS		
LTB	ECN	DATE
A	9567	11/86



NOTES:

1) NOT SHOWN

(1-250) GREASE ESL-9

(1-70) BASE RING PINS

<small>THIS DRAWING CONTAINS CONFIDENTIAL AND PROPRIETARY INFORMATION OF GIBBETTIS AND IS SUBMITTED TO YOU FOR THE LIMITED PURPOSE OF PROVIDING YOU INFORMATION TO FACILITATE YOUR USE AND/OR MAINTENANCE OF PRODUCTS PURCHASED BY YOU FROM GIBBETTIS BY RECEIVING THIS DOCUMENT, YOU AGREE NOT TO USE SUCH CONFIDENTIAL INFORMATION FOR ANY PURPOSE OTHER THAN THE LIMITED PURPOSE STATED HEREIN AND FURTHER AGREE NOT TO DISCLOSE SUCH INFORMATION TO OTHERS EXCEPT IN ACCORDANCE WITH THE LIMITED PURPOSE STATED HEREIN.</small>	MATERIAL PER ESMA-NA	GENERAL TOLERANCES UNLESS OTHERWISE SPECIFIED	DWN	RAF	DATE	<b>TITLE:</b> <b>ASSEMBLY DRAWING</b> <b>FS30X-DA</b>		
	FINISH PER ES NA	IN.	CHK	JMA	JONES			1-20-86
	APPROX. WEIGHT= NA LBS.	DECIMAL	APPD	ALL				1-20-86
	MARK WITH PART NO. & LATEST REVISION	ANGULAR	APPD					
	CONCENTRICITY	SURFACE FINISH	REMOVE BURRS AND SHARP EDGES	SO No.	L.O. No.	PART No.		
	FILLETS	DO NOT SCALE DWG.	SCALE	1/2	DWG SIZE	D	SHEET	
						67499	A	
							REV.	