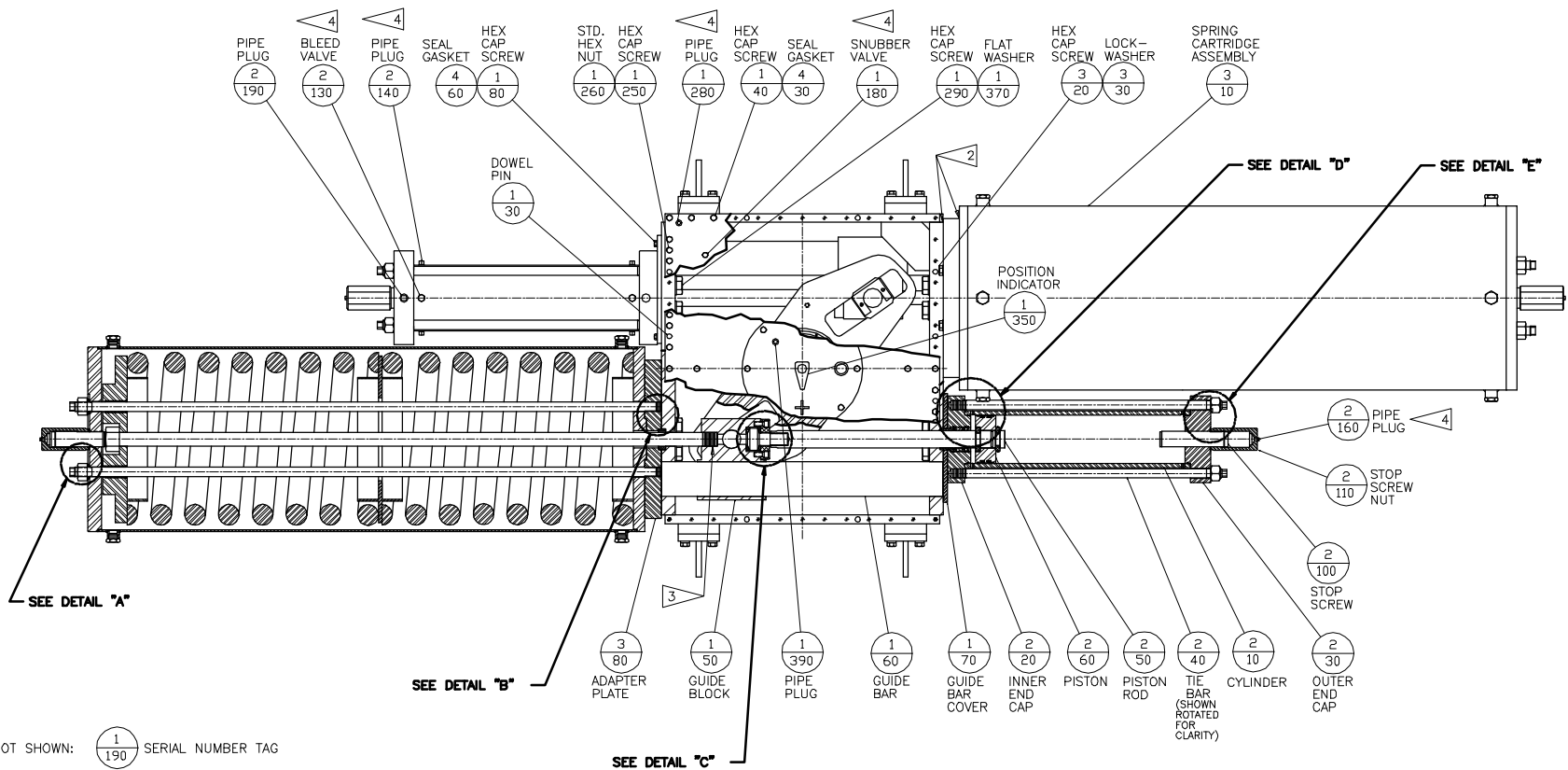


REVISIONS		
LTR	ECN	DATE
A	REL'D	7/91



NOTES:

1.) ITEMS NOT SHOWN: (1) 190 SERIAL NUMBER TAG

(1) 200 DRIVE SCREW

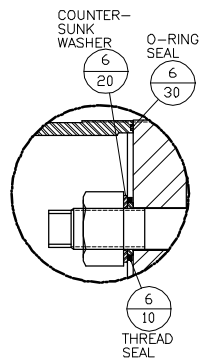
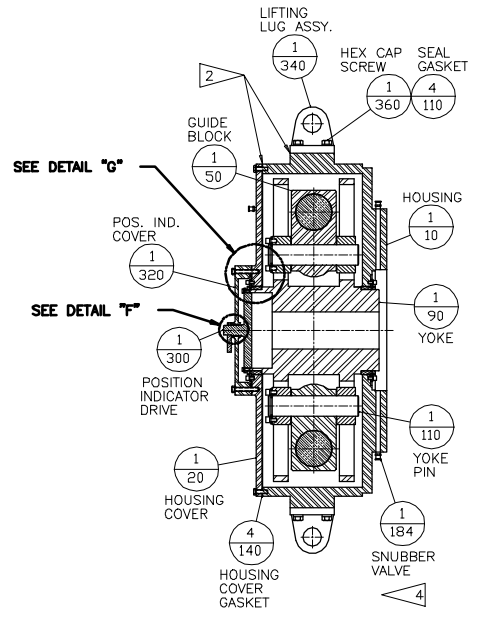
2 APPLY MASTER GASKET TO SEAL THESE SURFACES.

3 APPLY LOCTITE-242 TO EXTERNAL THREADS.

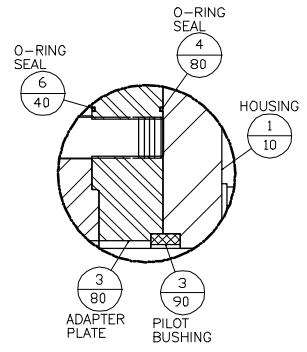
4 APPLY LOCTITE-PST 567 TO EXTERNAL THREADS.

DRAWN BY: RDC	DATE: 7/91	TITLE: ASSEMBLY DRAWING		<b>BETTS</b> Actuators & Controls
CHECKED BY: LFG	8/7/91	FQ 1020X HYDRAULIC ACTUATOR		
APPROVED BY: MR	8/91		THIS DOCUMENT AND THE DATA DISCLOSED HEREIN OR HEREWITH IS NOT TO BE REPRODUCED, USED OR DISCLOSED IN WHOLE OR IN PART TO ANYONE WITHOUT THE PERMISSION OF BETTS.	PART NO. 107224
SALES ORDER:			THIRD ANGLE PROJECTION <input checked="" type="checkbox"/>	SCALE 1/8 DWG. SIZE D SHEET 1 OF 2 REV.

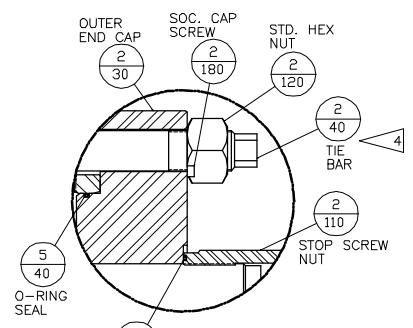
REVISIONS		
LTR	ECN	DATE
A	REL'D	7/91



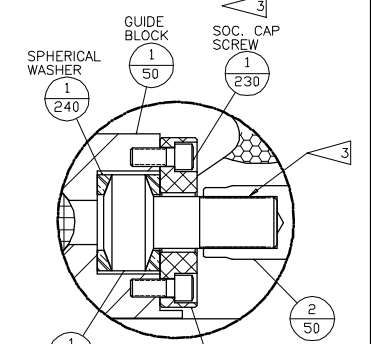
DETAIL "A"



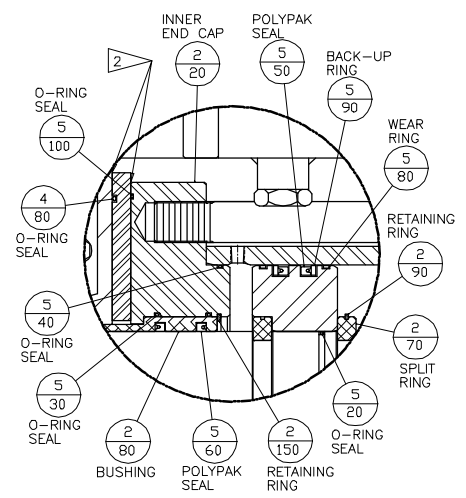
DETAIL "B"



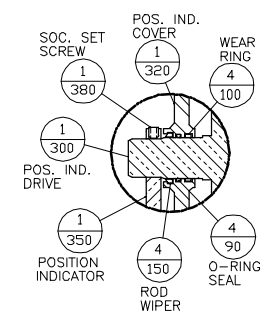
DETAIL "E"



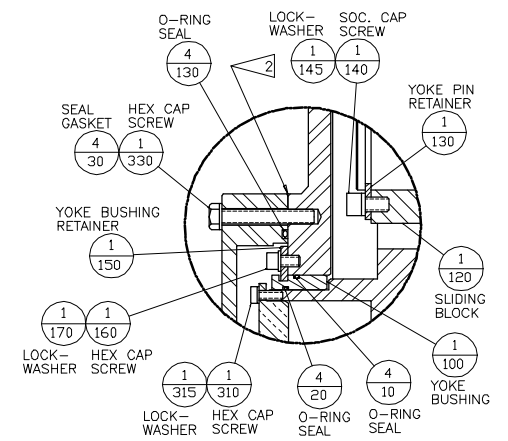
DETAIL "C"



DETAIL "D"



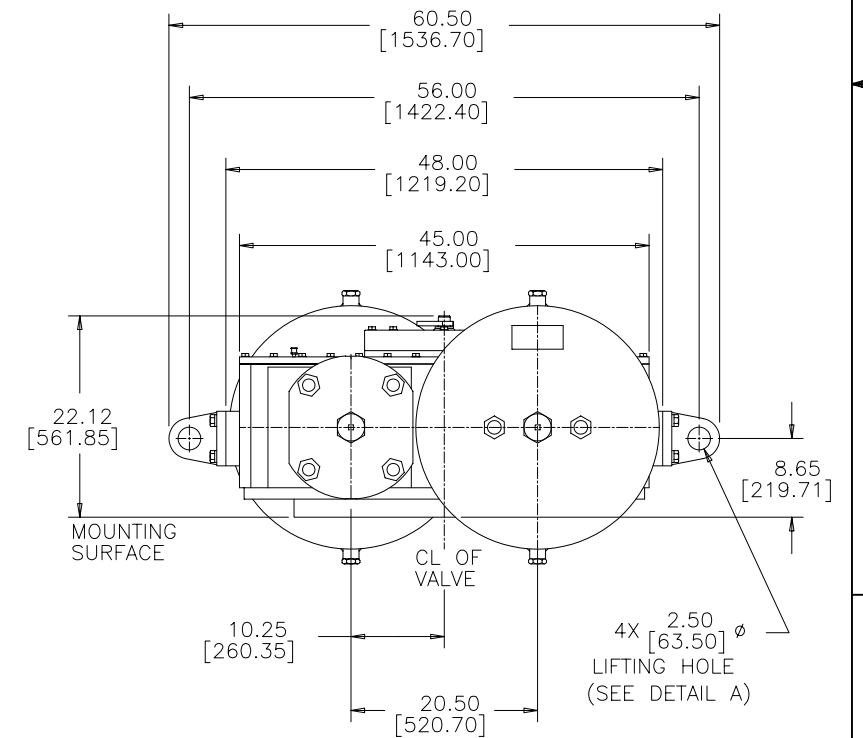
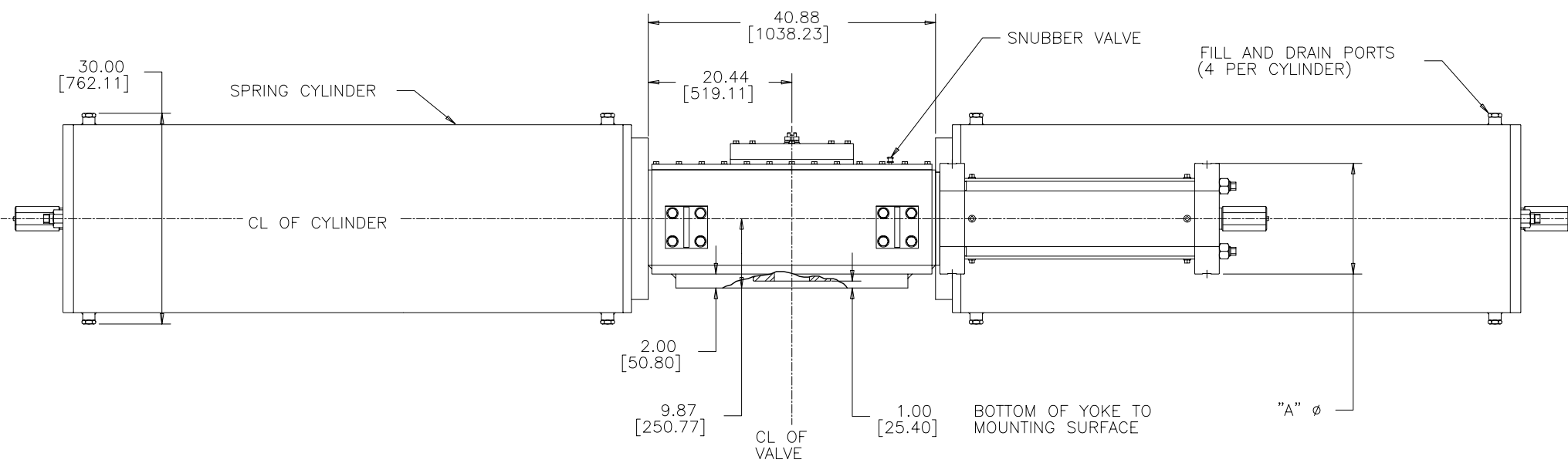
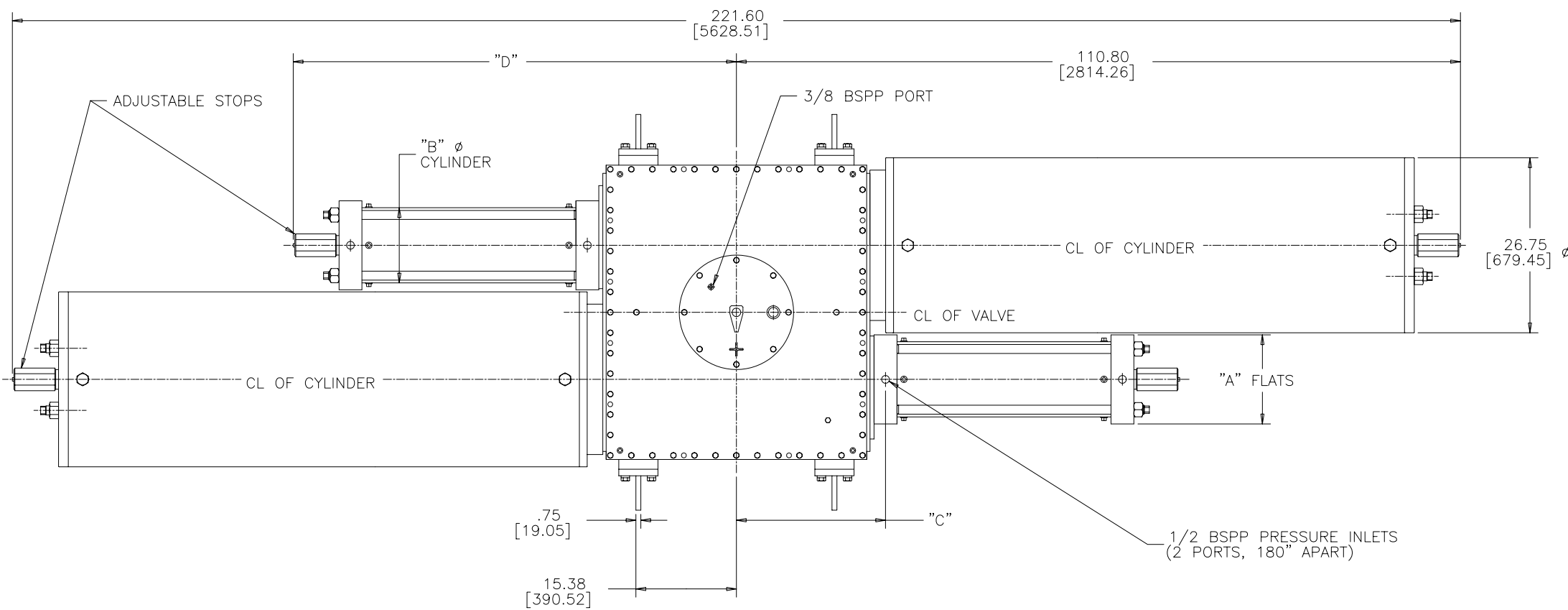
DETAIL "F"



DETAIL "G"

DRAWN BY: RDC CHECKED BY: LFG APPROVED BY: MR	DATE: 7/91 8/7/91 8/91	TITLE: ASSEMBLY DRAWING FQ1020X HYDRAULIC ACTUATOR		<b>BETTS</b> Actuators & Controls
SALES ORDER:		PART NO. 107224		SCALE 1/8 DWG. SIZE D SHEET 2 OF 2

REVISIONS		
LTR	ECN	DATE
B	11492	10/91



- NOTES:  
 1.) ACTUATOR SHOWN ROTATED TO THE FULL CLOCKWISE POSITION.  
 2.) DIMENSIONS IN BRACKETS ARE IN MILLIMETERS.

THIS DRAWING TO BE USED WITH PURCHASE ORDER NO. \_\_\_\_\_ AND SUPERSEDES ALL PREVIOUS DRAWINGS. DATED \_\_\_\_\_  
 CERTIFIED BY:  
 GH BETTIS \_\_\_\_\_  
 DATE: \_\_\_\_\_

DRAWN BY: RDC DATE: 6/91  
 CHECKED BY: LFG 7/9/91  
 APPROVED BY: MR 7/91

TITLE:  
 BASE I  
 FQ102XX-2SRX  
 ACTUATOR,  
 BSPP.

**BETTIS**  
 Actuators & Controls

PART NO. 107225

THIS DOCUMENT AND THE DATA DISCLOSED HEREIN OR HEREWITH IS NOT TO BE REPRODUCED, USED OR DISCLOSED IN WHOLE OR IN PART TO ANYONE WITHOUT THE PERMISSION OF BETTIS.

SALES ORDER: 91-1457 A

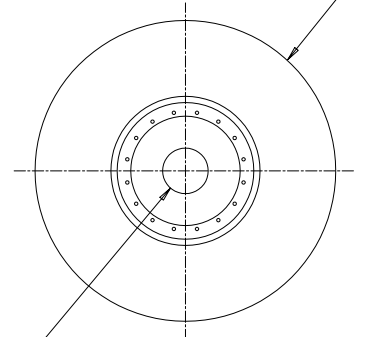
THIRD ANGLE PROJECTION  
 CAD GENERATED DRAWING

SCALE 1/10 DWG. SIZE D B  
 SHEET 1 OF 2 REV.

MODEL	"A" $\phi$	"A" FLATS	"B" $\phi$	"C"	"D"	DISPLACEMENT
FQ10207-2SR1,2,3	12.62 [320.55]	N/A	8.25 [209.55]	22.69 [576.39]	66.31 [1684.34]	1,376.60 CU.INS. (22.56 L.)
FQ10208-2SR1,2,3	13.62 [345.95]	N/A	9.50 [241.30]	22.69 [576.39]	66.31 [1684.34]	1,859.62 CU.INS. (30.48 L.)
FQ10210-2SR1,2,3	15.75 [400.75]	13.62 [345.95]	11.50 [292.10]	22.81 [579.44]	67.82 [1722.69]	3,018.86 CU.INS. (49.48 L.)

MODEL	APPROX. WT.
FQ10207-2SR1	12,470 LBS./ 5,656.36 KGS.
FQ10207-2SR2	12,800 LBS./ 5,806.04 KGS.
FQ10207-2SR3	13,030 LBS./ 5,910.37 KGS.
FQ10208-2SR1	12,703 LBS./ 5,762.04 KGS.
FQ10208-2SR2	13,033 LBS./ 5,911.73 KGS.
FQ10208-2SR3	13,263 LBS./ 6,016.06 KGS.
FQ10210-2SR1	13,147 LBS./ 5,963.44 KGS.
FQ10210-2SR2	13,477 LBS./ 6,113.13 KGS.
FQ10210-2SR3	13,707 LBS./ 6,217.45 KGS.

MOUNTING PLATE, 33.00 [838.2] O.D. X  
16.37 [415.8] I.D. X 2.00 [50.8] THK.  
(MTG. HOLES SPECIFIED PER  
CUSTOMER REQUEST)



YOKE BORE AND KEYWAY DIMENSIONS  
PER CUSTOMER REQUEST; MAXIMUM YOKE  
BORE IS 8.293  $\phi$  WITH 2 X 1.25 KEYWAYS.

MOUNTING SURFACE  
(VIEWED FROM BELOW ACTUATOR)

