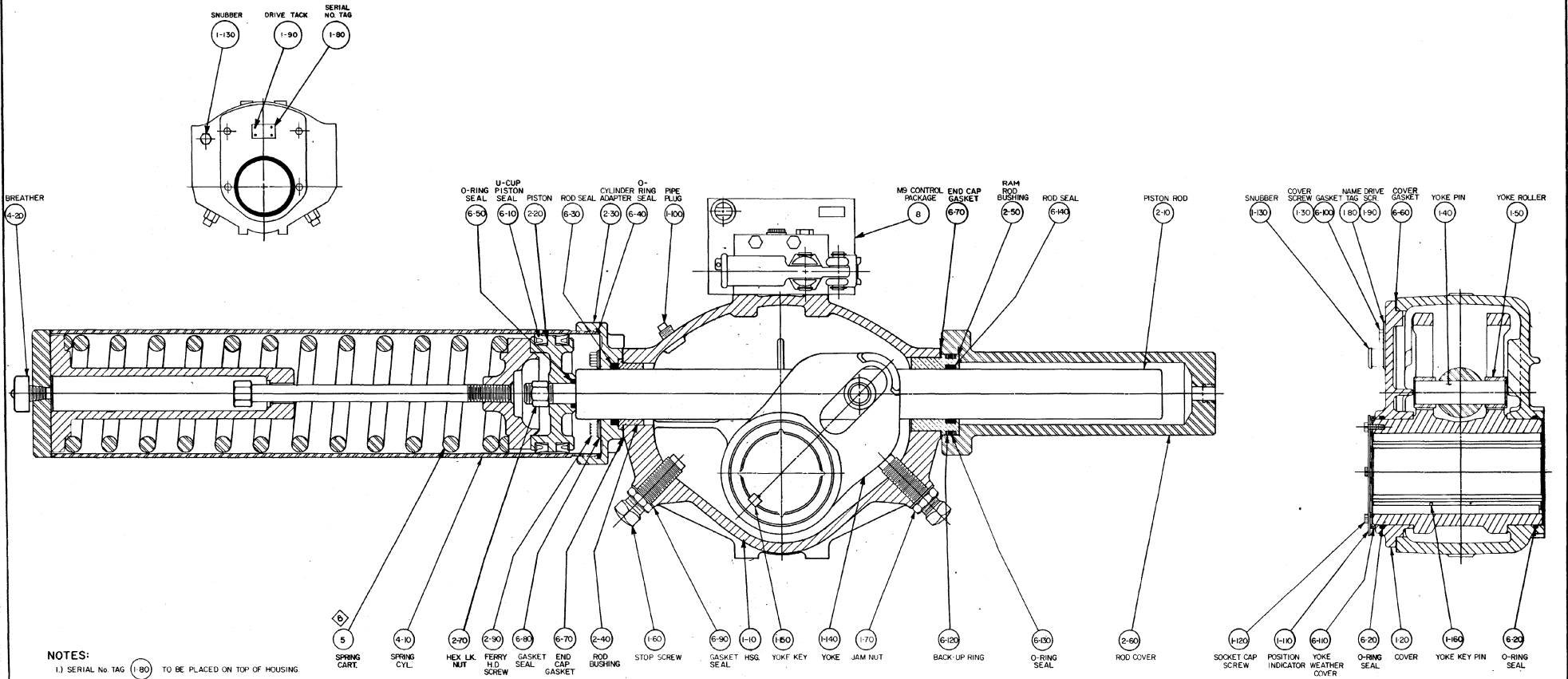


REVISIONS		
LT#	ECO	DATE
A	7712	1-4-83
B	7792	4-28-83



- NOTES:**
- 1) SERIAL No TAG (1-80) TO BE PLACED ON TOP OF HOUSING.
 - 2) ALL PARTS SHOULD BE INSPECTED AND CAREFULLY CLEANED TO REMOVE ALL DIRT AND OTHER FOREIGN MATTER.
 - 3) INSPECT PER ESZ-1.
 - 4) COAT ALL SEALS WITH OIL BEFORE INSTALLATION.
 - 5) APPLY LOCTITE 242 TO SOCKET CAP SCREWS (2-100).
 - 6) PIPE PLUG (2-10) TO BE INSTALLED IN CYLINDER ADAPTER (2-30).
 - 7) BLEED VALVE (2-120) TO BE INSTALLED IN ROD COVER (2-90).
 - 8) APPLY GREASE (6-60) TO ALL COMPONENTS BEFORE ASSY.

- NOT SHOWN:**
- (2-100) FERRY CAP SCREW
 - (2-110) PIPE PLUG
 - (2-120) BLEED VALVE
 - (6-60) GREASE
 - (6-62) FLUID
 - (7) TUBING & FITTINGS

THIS DRAWING CONTAINS CONFIDENTIAL AND PROPRIETARY INFORMATION OF GIBBETTIS AND IS SUBMITTED TO YOU FOR THE LIMITED PURPOSE OF PROVIDING YOU INFORMATION TO FACILITATE YOUR USE AND/OR MAINTENANCE OF PRODUCTS PURCHASED BY YOU FROM GIBBETTIS. BY RECEIVING THIS DOCUMENT, YOU AGREE NOT TO USE SUCH CONFIDENTIAL INFORMATION FOR ANY PURPOSE OTHER THAN THE LIMITED PURPOSES SET FORTH AND FURTHER AGREE NOT TO DISCLOSE SUCH INFORMATION TO OTHERS EXCEPT IN ACCORDANCE WITH THE LIMITED PURPOSES STATED HEREIN.		DWN <i>D. Ross</i> DATE 1-8-83	TITLE: ASSEMBLY DRWG. 521/721-SR-M9(CW) ACTUATOR	GIBETTIS A Galveston-Houston Company
CHK <i>[Signature]</i> DATE 1-10-83	APP'D <i>[Signature]</i> DATE 1-10-83	SC. No.	L.O. No.	
SURFACE FINISH REMOVE BURRS AND SHARP EDGES		DO NOT SCALE DWG.	SCALE NONE	DWG SIZE D
PART No. 49543			SHEET 1 OF 1	REV. B